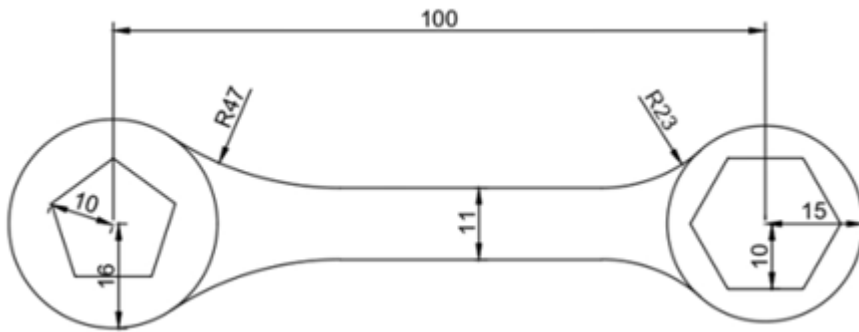
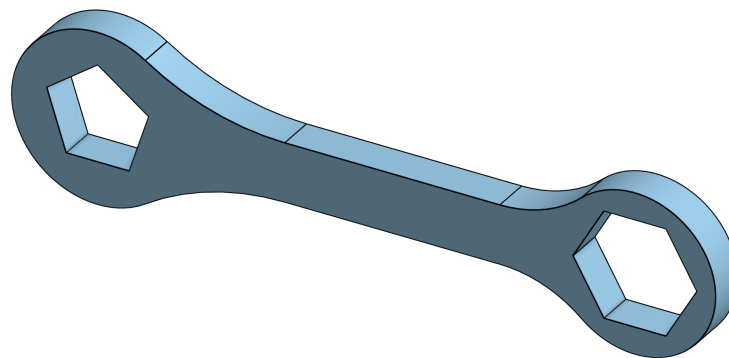


# OnShape - Basics of Sketching

## Technical drawing



## Expected 3D model



From: <https://edu.iit.uni-miskolc.hu/> - Institute of Information Science - University of Miskolc

Permanent link: [https://edu.iit.uni-miskolc.hu/tanszek:oktatas:techcomm:sketching\\_-\\_simple\\_wrench\\_example?rev=1759144322](https://edu.iit.uni-miskolc.hu/tanszek:oktatas:techcomm:sketching_-_simple_wrench_example?rev=1759144322)

Last update: **2025/09/29 11:12**

