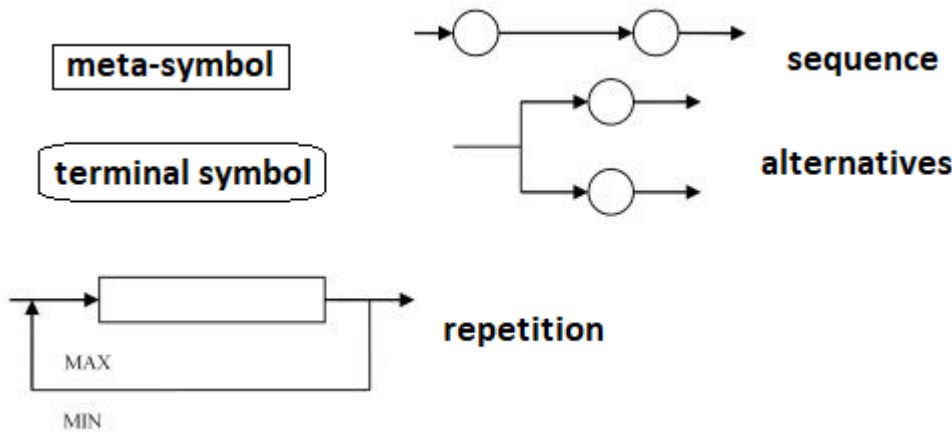


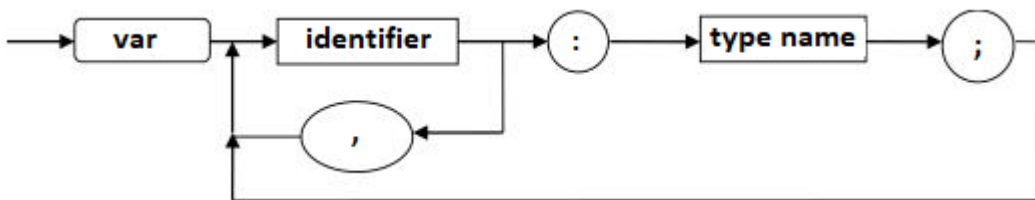
Syntax Graphs

Syntactic rules can also be modeled using graphs, for example in the following way:



The idea is to represent all possibilities of the BNF formula in some graphical way.

1. Example: Syntax Graph for Variable Declarations in the PASCAL Language



Even if someone is unfamiliar with the PASCAL language, they would be able to declare syntactically correct variables using the graph:

```

\[\text{var age, weekdays : integer;} \] \[\text{var taxrate, netIncome : real;} \] \[\text{var choice, isready : boolean;} \] \[\text{initials, grade : char;} \] \[\text{name, surname : string;} \]

```

This shows how graphical representations can help in understanding and constructing syntactically correct structures in programming languages.

From: <https://edu.iit.uni-miskolc.hu/> - Institute of Information Science - University of Miskolc

Permanent link: https://edu.iit.uni-miskolc.hu/tanszek:oktatas:techcomm:syntax_graphs?rev=1728319517

Last update: 2024/10/07 16:45

