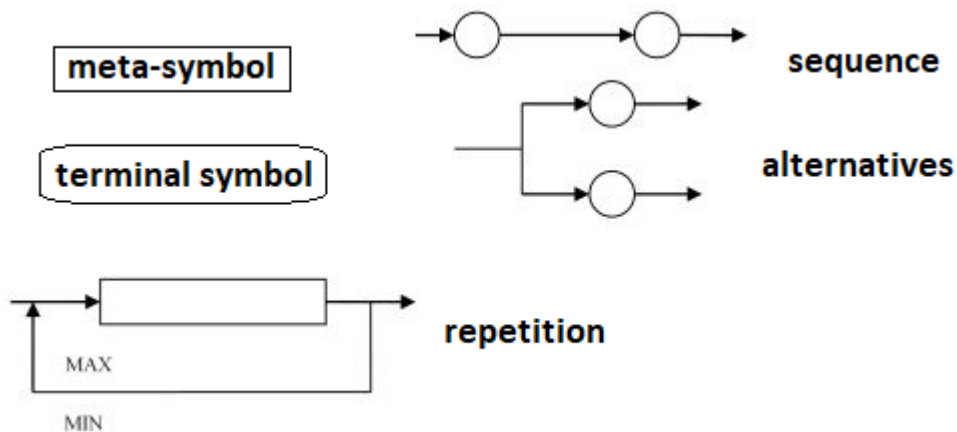


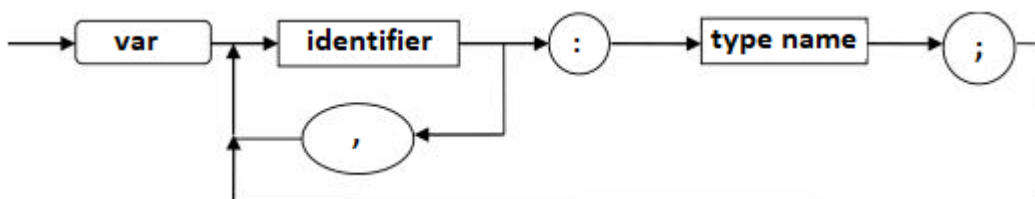
Syntax Graphs

Syntactic rules can also be modeled using graphs, for example in the following way:



The idea is to represent all possibilities of the BNF formula in some graphical way.

1. Example: Syntax Graph for Variable Declarations in the PASCAL Language



Even if someone is unfamiliar with the PASCAL language, they would be able to declare syntactically correct variables using the graph:

```
var age, weekdays : integer;
var taxrate, netIncome : real;
var choice, isready : boolean;
    initials, grade : char;
    name, surname : string;
```

This shows how graphical representations can help understand and construct syntactically correct structures in programming languages.

From:

<https://edu.iit.uni-miskolc.hu/> - Institute of Information Science - University of Miskolc

Permanent link:

https://edu.iit.uni-miskolc.hu/tanszek:oktatas:techcomm:syntax_graphs?rev=1728319579

Last update: 2024/10/07 16:46

